

# Isle of Palms Public Dock

---

## Project Update

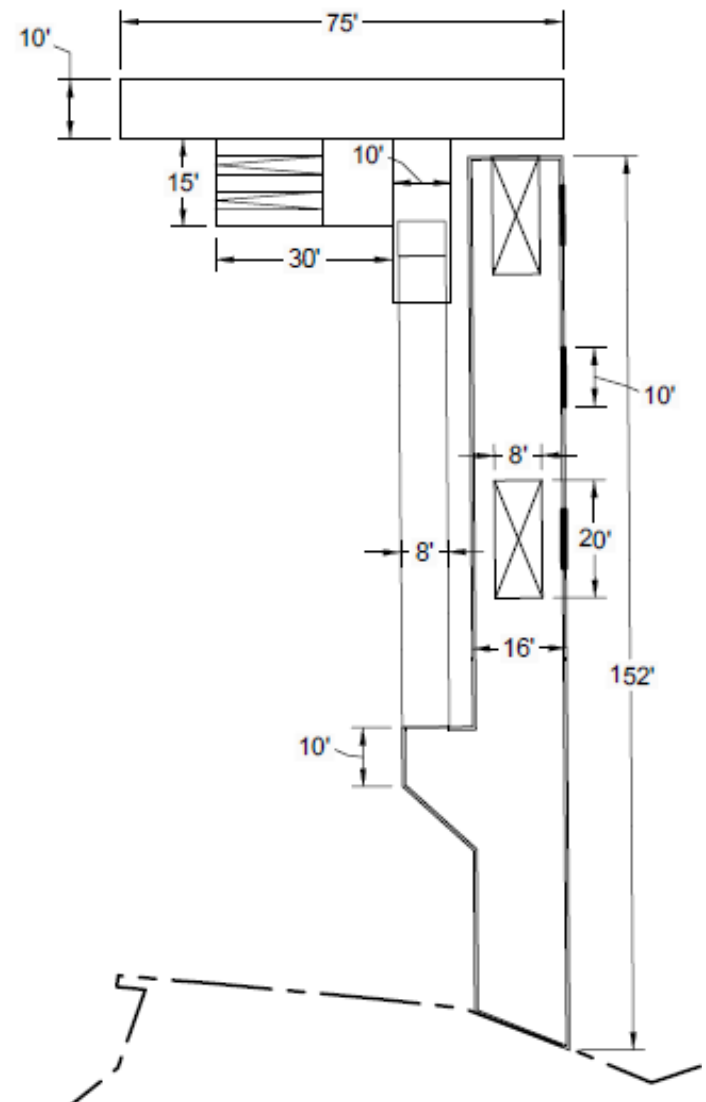
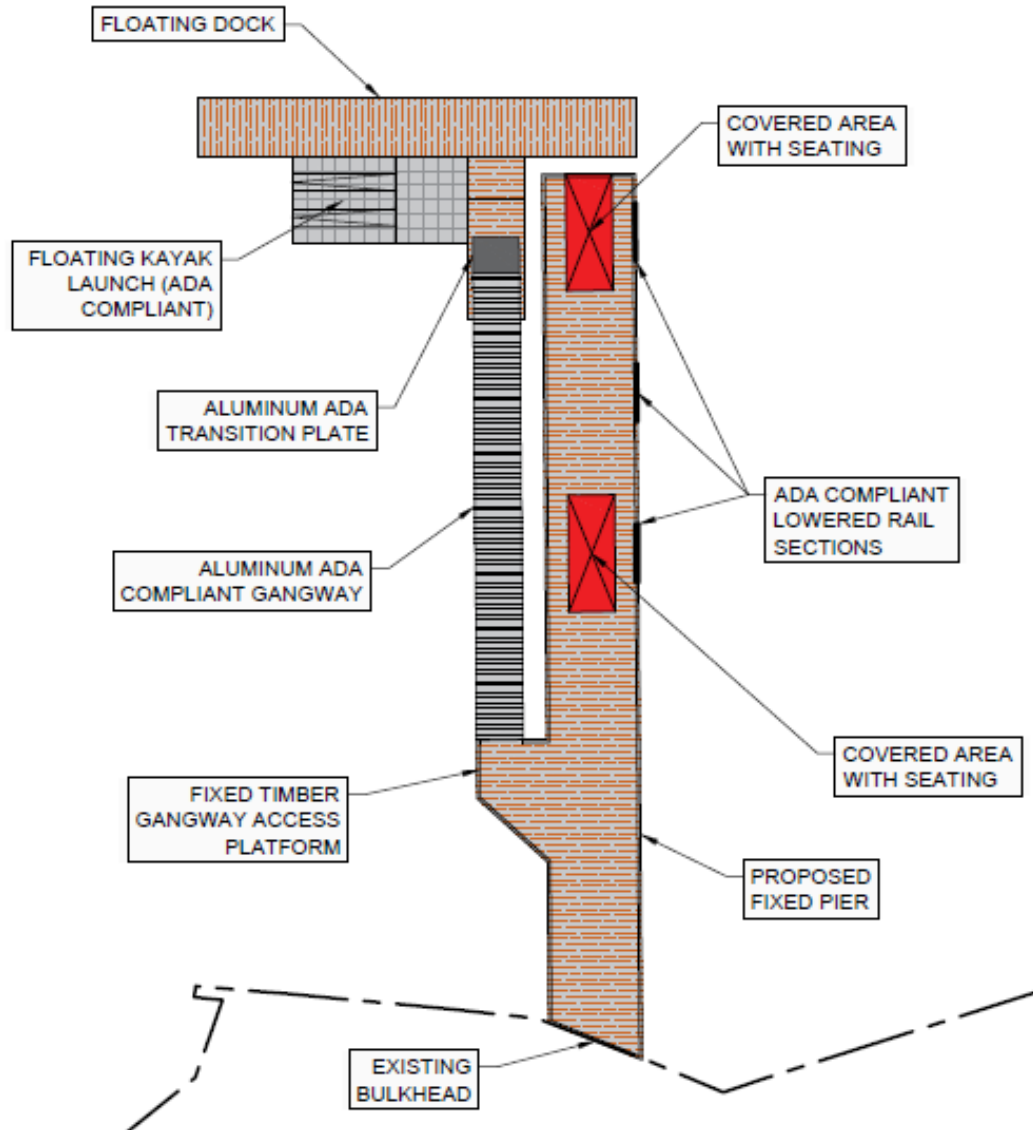
**IOP City Council Presentation**

**11-July-2023**



A Geosyntec Company

# Public Dock Arrangement



# Permit Status

---

- Off public notice
- Limited comments received
  - Standard Manatee Conditions
- ATM following up with agencies
- Proceeding with Design

# General Design Assumptions

---

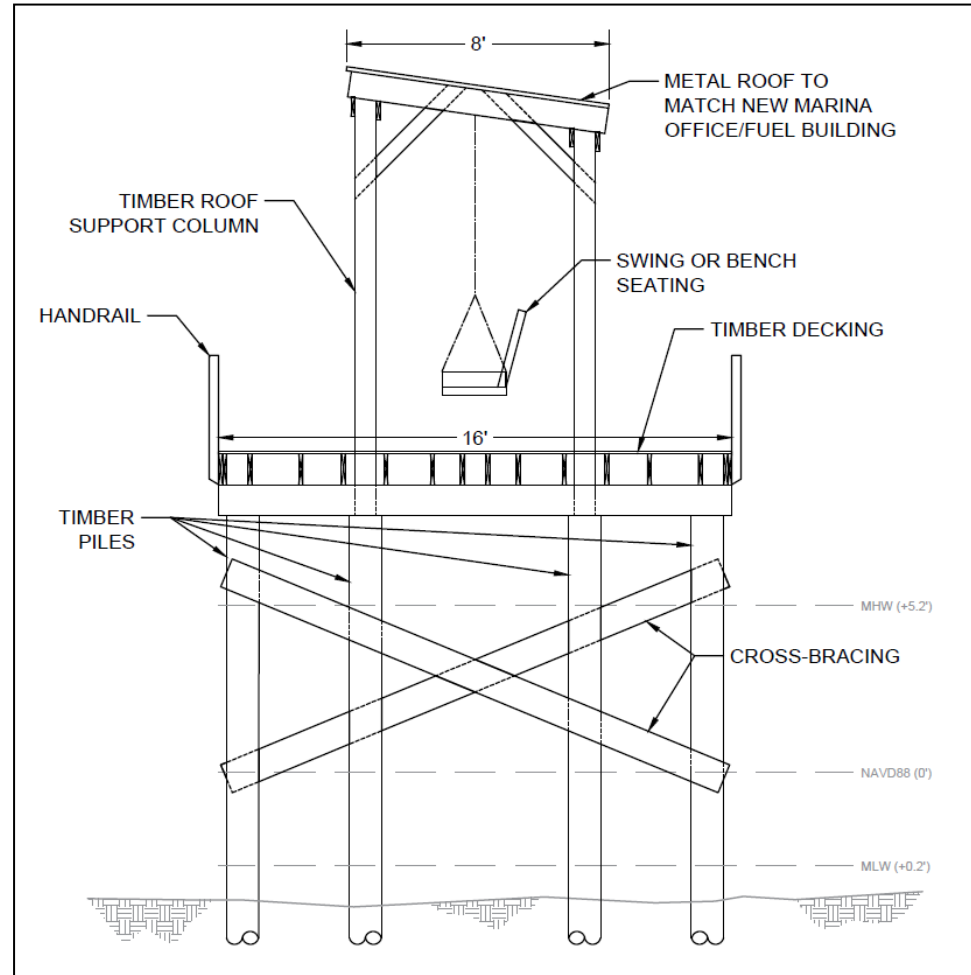
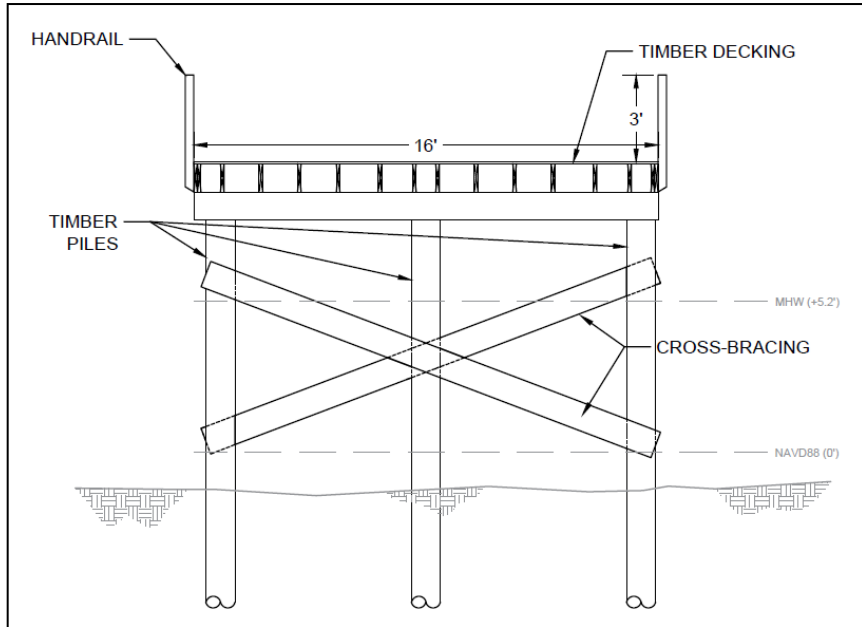
- Timber piles
- Timber framing
- Timber decking
- Timber or hybrid handrail
  - Three (3) 20' ADA-compliant fishing/obs. sections
- ADA-compliant aluminum gangway
- Floating dock with timber decking
- ADA-compliant kayak launch

# Utilities

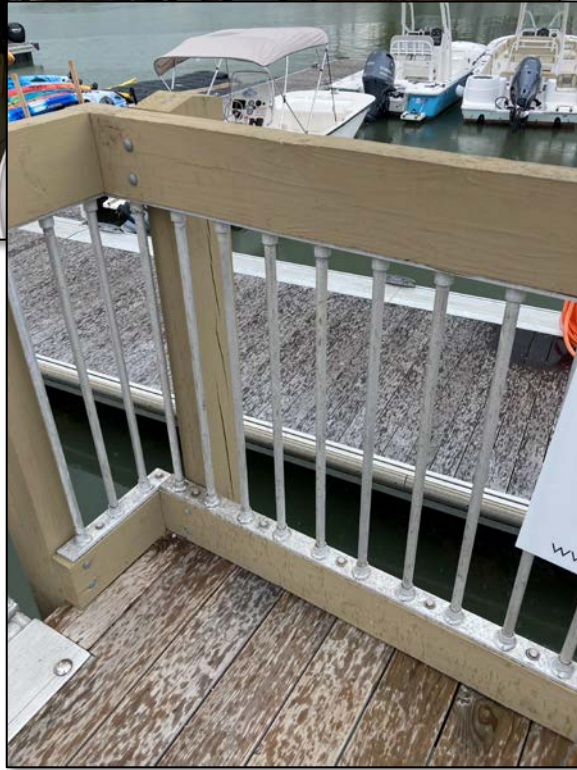
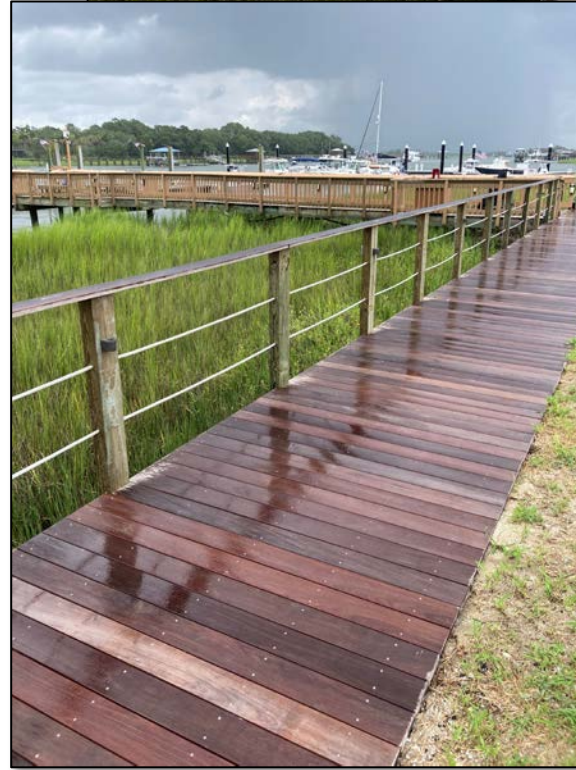
---

- Walkway lighting (fixed pier)
- 1-2 light pedestals (floating dock)
- 1 water spigot (fixed pier) + 1 spigot (floating dock)
- Fire standpipe system

# Fixed Pier



# Handrails





# Handrails



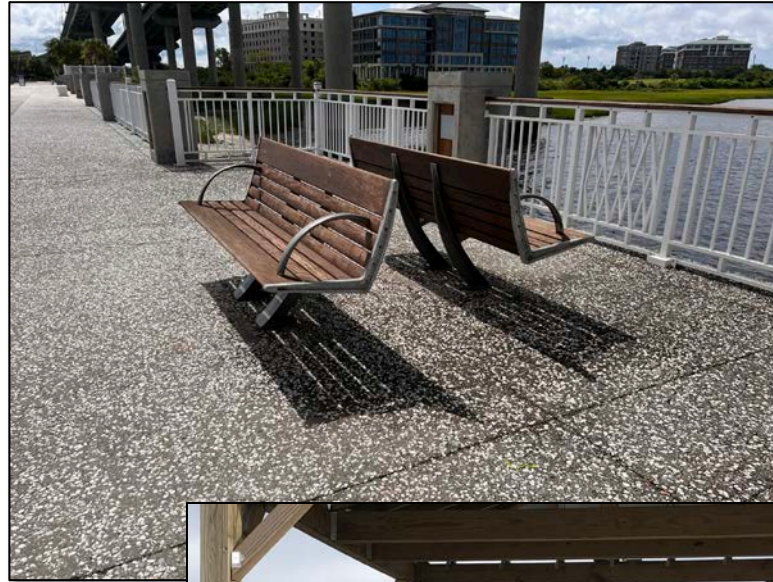
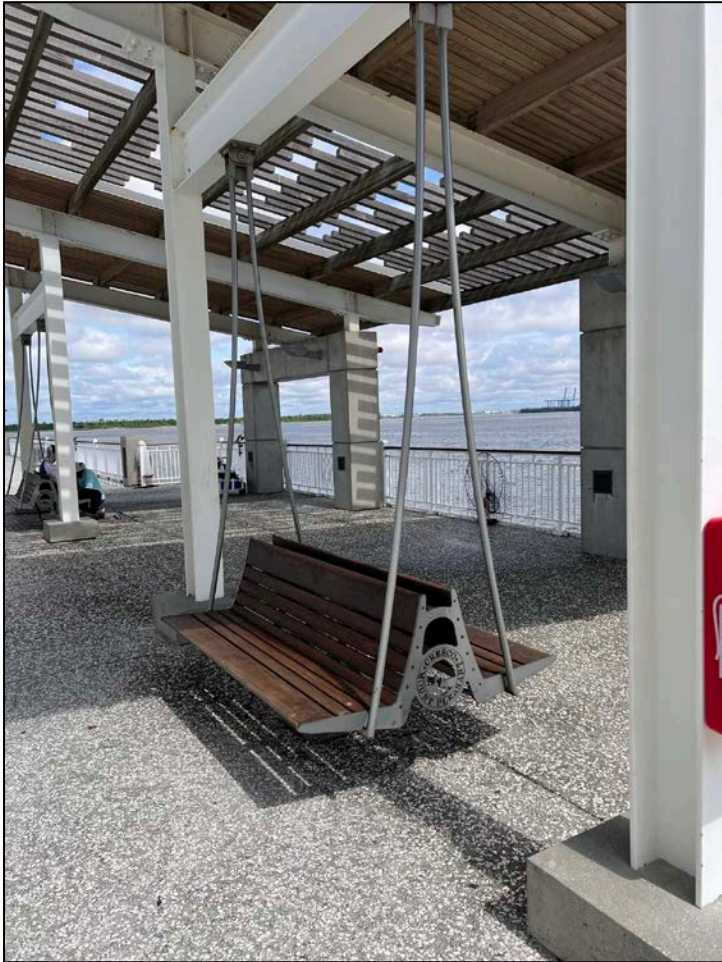


# Decking (Floating Dock & Fixed Pier)





# Seating (Fixed Pier)



# Kayak Launch

